

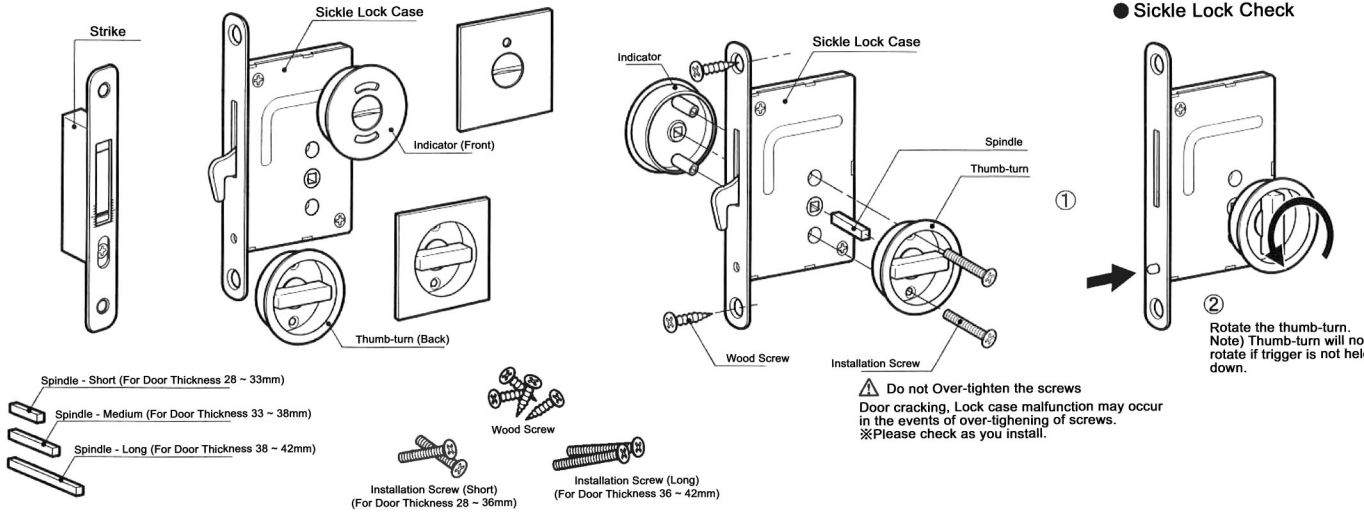
KM-01~10

Our product, spindle and screws have different length to fit different door thickness. With reference to the instructions below, please choose the appropriate parts before installation.
 ※For door thickness 28 ~ 42mm

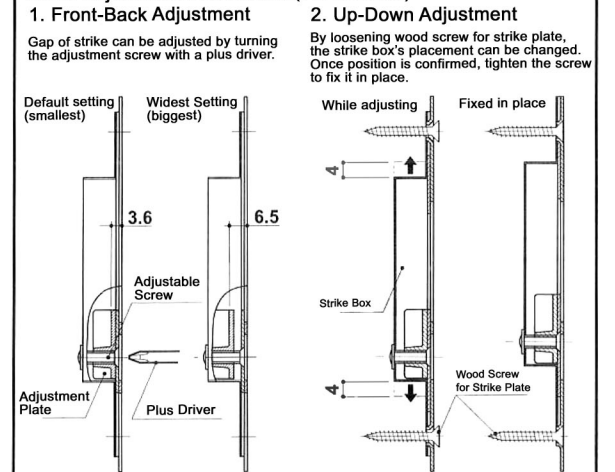
Sickle Lock - Set details and Part names

For Round Base

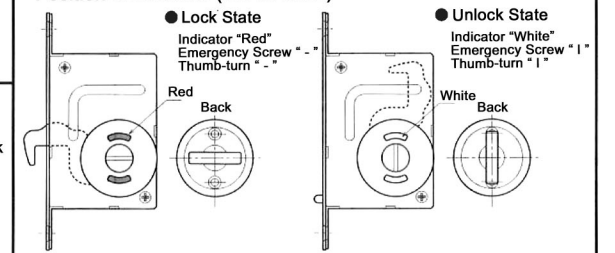
KM-01/KM-05/KM-06/KM-09/KM-10



Strike Adjustment Instructions (For all base)

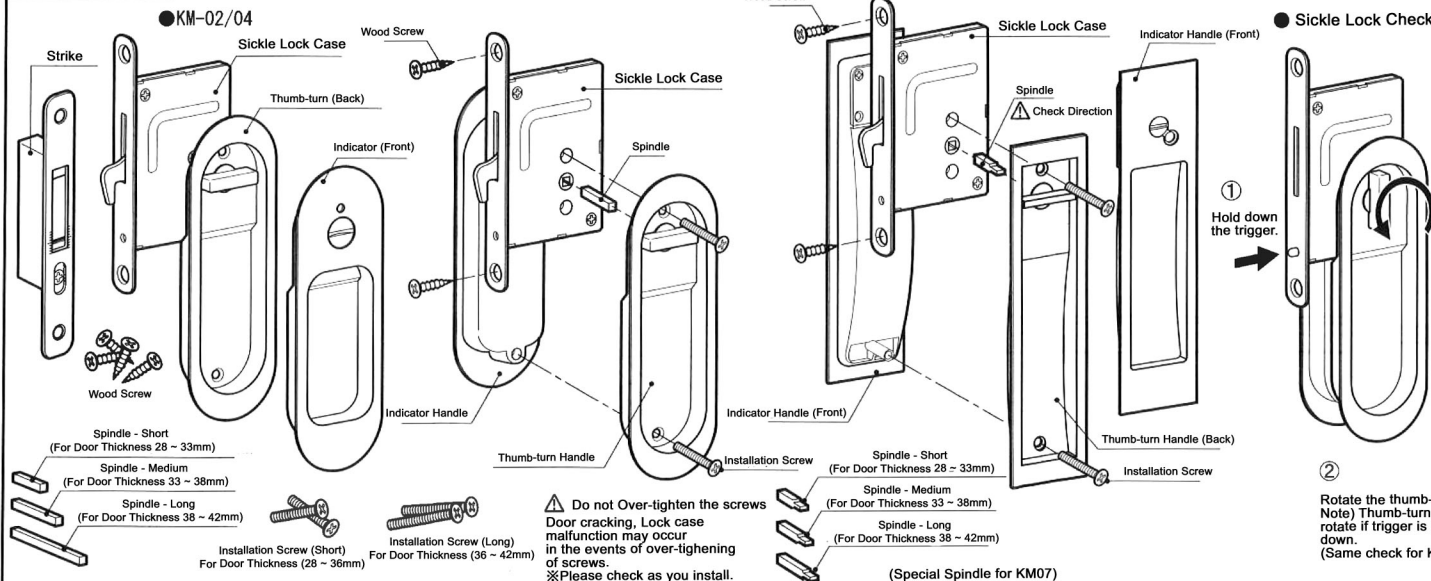


Position of Indicator (For all base)



For Long Base

KM-02/KM-04/KM-07



⚠ Important

- Please read the installation instructions before installing to ensure correct installation. And after installation, please make sure to check the product to ensure that the product was installed correctly.
- After installation please do not dispose of the installation instruction, instead, pass it to the product user for keeping.
- Please avoid installation of product in outdoor places; humid places that comes in contact with water constantly. There might be a risk of product rusting, breakage and injury.

Maintenance

- Regularly use a soft and dry cloth to wipe the handles down. (Please do not use more strength than necessary to avoid scarring the product surface.) In the events of stubborn stains, please use a soft and damp cloth soaked in water with a small amount of diluted synthetic detergent to wipe it down. Finish by using a soft and dry cloth to remove all moisture.
- Gasoline (Benzin), thinner, alcohol, toilet detergent, anti-mold agent, chlorine-based agent, strong acid and strong alkali-base agents will harm the product surface, so please refrain from using them to clean the product. ※Sanitizing sheets that includes all the items listed above should also be avoided.

